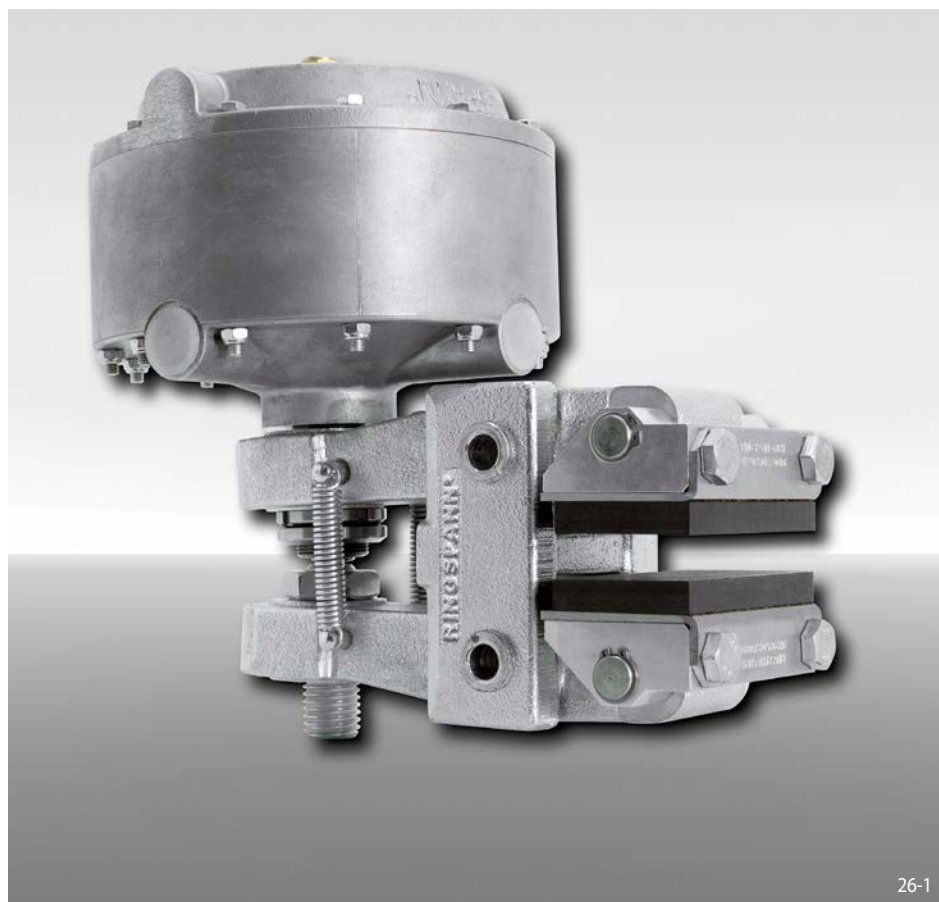


Brake Caliper DH 035 FPM

spring activated – pneumatically released



| Features | Code |
|---|------------|
| Brake Caliper | D |
| Mounting to the machine at right angles to the brake disc | H |
| Frame size 035 | 035 |
| Spring activated | F |
| Pneumatically released | P |
| Manual adjustment to accommodate friction block wear | M |
| Thrusters 025, 035, 045, 102, 111 or 122 are available | 025 to 122 |
| Thruster mounted right or left available | R L |
| Thickness of brake disc 12,5 mm, 25 mm, 30 mm or 40 mm | 12 to 40 |

Example for ordering

Brake Caliper DH 035 FPM, thruster 111, thruster mounted right, thickness of brake disc 12,5 mm:

Technical Data

DH 035 FPM - 111 R - 12

| | Brake Caliper DH 035 FPM | | | | | |
|---------------------------|--------------------------|----------------------------|--------------------------|--------------------------|--------------------------|----------------------------|
| | with thruster 025 | with thruster 035 | with thruster 045 | with thruster 102 | with thruster 111 | with thruster 122 |
| Brake disc diameter | Braking torque | Braking torque | Braking torque | Braking torque | Braking torque | Braking torque |
| mm | Nm | Nm | Nm | Nm | Nm | Nm |
| 300 | 430 | 640 | 900 | 820 | 1450 | 1850 |
| 355 | 530 | 790 | 1100 | 1000 | 1750 | 2250 |
| 430 | 670 | 990 | 1400 | 1300 | 2250 | 2850 |
| 520 | 840 | 1250 | 1750 | 1600 | 2800 | 3550 |
| 630 | 1050 | 1550 | 2150 | 2000 | 3450 | 4400 |
| 710 | 1200 | 1750 | 2450 | 2250 | 3950 | 5000 |
| 800 | 1350 | 2000 | 2800 | 2600 | 4500 | 5750 |
| Clamping force | 4600 N | 6800 N | 9600 N | 8800 N | 15300 N | 19500 N |
| Air pressure | min. 5 bar max. 8 bar | min. 4,2 bar max. 8 bar | min. 5 bar max. 8 bar | min. 3 bar max. 8 bar | min. 5 bar max. 8 bar | min. 6,5 bar max. 8 bar |
| Air volume per activation | max. 120 cm ³ | max. 185 cm ³ | max. 185 cm ³ | max. 540 cm ³ | max. 540 cm ³ | max. 540 cm ³ |
| Weight | 10,6 kg | 13,0 kg | 13,0 kg | 14,2 kg | 14,2 kg | 14,2 kg |

The braking torques shown in the table are based on a theoretical friction coefficient of 0,4.

Brake Caliper DH 035 FPM

spring activated – pneumatically released

