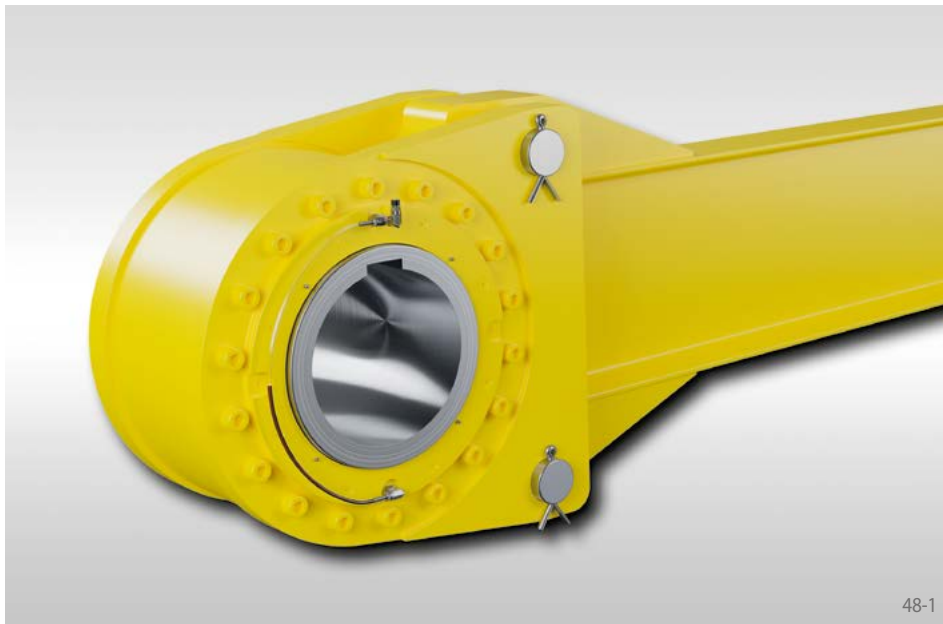


Low Speed Backstops FRHN

with lever arm
in metric dimensions with sprags



48-1

Application as

Backstop

for installations with low speeds. The free-wheels are designed for the use in inclined conveyor-belts, elevators or pumps. Taconite seals protect the freewheels from contamination with dust or dirt.

Features

Low Speed Backstops FRHN with lever arm are sealed sprag freewheels with ball bearings. They are supplied oil-filled and ready for installation.

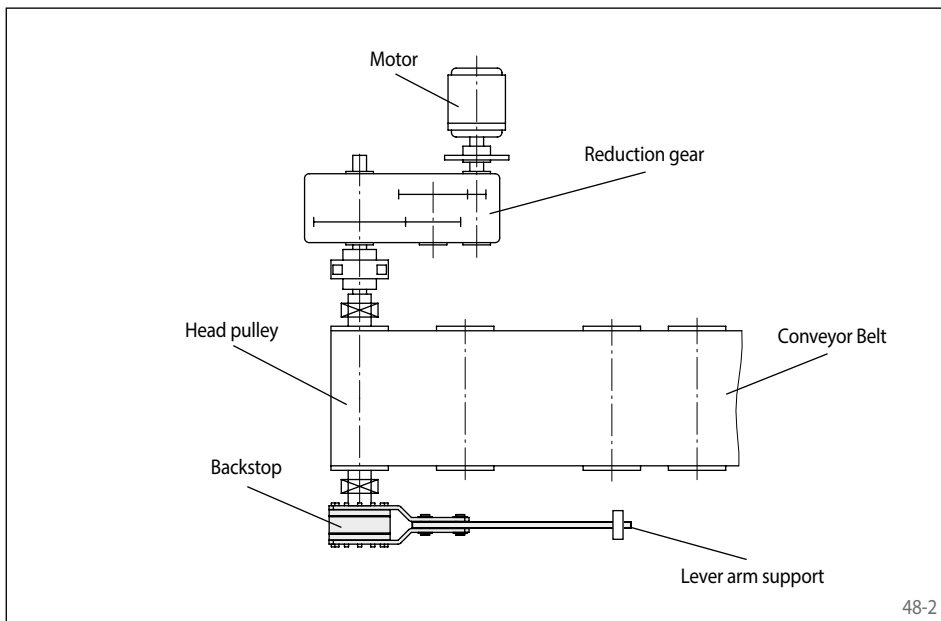
The Low Speed Backstops FRHN are arranged on through shafts or shaft ends.

Nominal torques up to 503 550 Nm.

Bores up to 320 mm.

Application example

Backstop FRHN 1 200 on the head drum shaft of an inclined conveyor belt system. The lever arm is bolted to the freewheel. The backdriving torque is supported by the lever arm on the base plate. When the conveyor belt is without any load, the drum shaft can be turned in both directions during maintenance by removing the bolts.



48-2

Mounting

The backdriving torque is supported by the lever arm. The lever arm must not be clamped into position. It must have 12,7 mm play in the axial and in the radial direction.

The tolerance of the shaft must be ISO h6 or j6.

Example for ordering

Freewheel size FRHN 1 200 with a 230 mm bore:

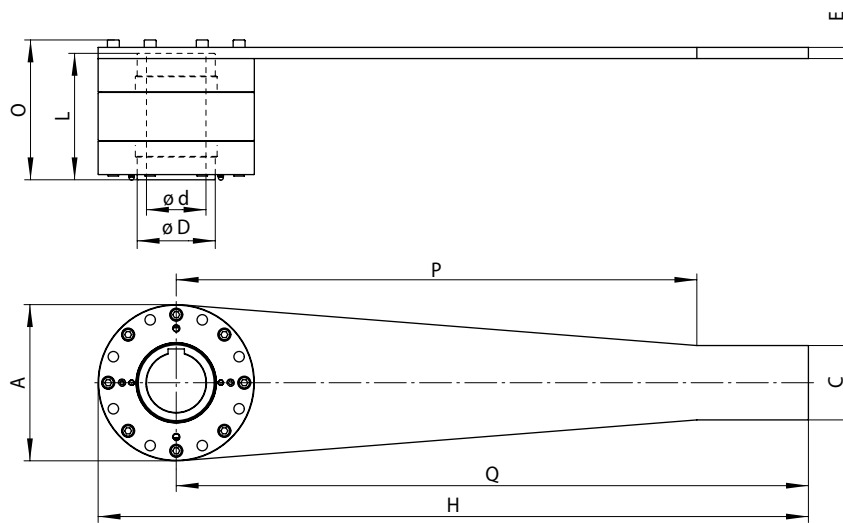
- FRHN 1 200, d = 230 mm



48-3

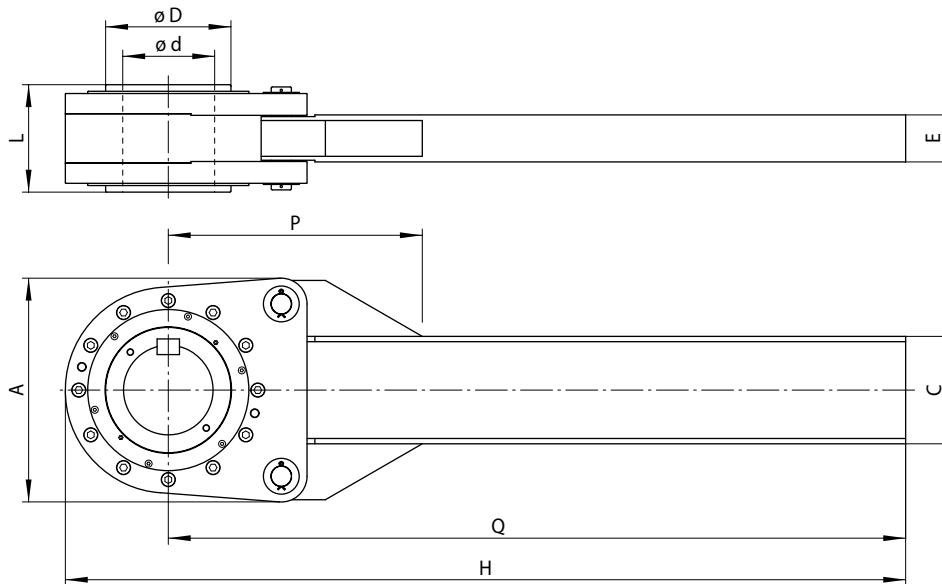
Low Speed Backstops FRHN

with lever arm
in metric dimensions with sprags



Size FRHN 700 to FRHN 900

49-1



Size FRHN 1000 to FRHN 1600

49-2

Backstop	Standard type	Dimensions											
	For universal use												

Freewheel size	Nominal torque M_N Nm	Max. speed Inner ring freewheels min^{-1}	Bore d max. mm	A mm	C mm	D mm	E mm	H mm	L mm	O mm	P mm	Q mm	Weight kg
FRHN 700	6900	620	80	210	100	105	15	955	170	188	700	850	50
FRHN 775	10100	540	90	250	100	120	20	1090	200	223	815	965	80
FRHN 800	16250	460	110	280	150	140	20	1105	220	246	815	965	100
FRHN 900	25000	400	130	315	150	170	25	1525	194	227	1170	1367,5	140
FRHN 1000	40000	360	170	430	200	220	100	2015	250	-	592	1800	305
FRHN 1100	61000	360	170	470	220	220	112	2013	270	-	695	1800	360
FRHN 1200	125000	200	230	586	280	300	124	2239	280	-	712	1974	620
FRHN 1300	150000	200	250	635	320	320	134	2413	330	-	755	2095	810
FRHN 1400	189000	200	280	790	450	380	154	2590	330	-	758	2268	1000
FRHN 1450	263000	200	300	770	450	380	154	2730	450	-	885	2400	1280
FRHN 1500	389500	200	300	900	500	380	162	2840	510	-	1020	2500	1700
FRHN 1600	503550	110	320	826	500	400	160	3104	490	-	772	2742	1600

The maximum transmissible torque is 2 times the specified nominal torque. See page 14 for determination of selection torque.
Keyway dimensions upon request by customers.